



Ronin Trailer Hitch

Instruction Manual

PN 2805-2000-17

“Original Instructions”



WARNING:

The Ronin Trailer Hitch is designed to be used with only Ronin powered ascenders. Do not attempt to attach any other products to the mounting plate. Use caution when opening your vehicles tailgate or doors, so you do not hit the Ronin Trailer Hitch.

Caution:

Do not attempt to modify the Ronin Trailer Hitch in anyway. You are cautioned that any changes or modifications, could void warranty & the user's authority to operate the equipment.

If you have questions about this product, visit www.ronin.inc or contact Ronin Customer Service at +1-657-444-2557. You can also write to,

Ronin Revolution Corporation
Customer Service/Technical Support
600 S. Jefferson St. Suite D
Placentia, CA 92870 U.S.A.

Declaration of Conformity

Trade Name:	Ronin Trailer Hitch
Model No.:	2805-2000-17
Responsible Party:	Ronin Revolution Corp.
Address:	600 S. Jefferson St. Suite D Placentia, CA 92870 U.S.A.
Telephone:	+1-657-444-2557

Contents:

Warning	2
Precautions	4
Use and Handling	4
Product Overview	5
Trailer Hitch Specifications	6
Box Contents	6
Vehicle Installation	7
Inspection	9
Warranty Information	10

Precautions:

Before using this product, carefully read this manual and retain it for future reference. This product has been designed with the highest concern for safety. To help ensure accident-free operation, follow these guidelines:

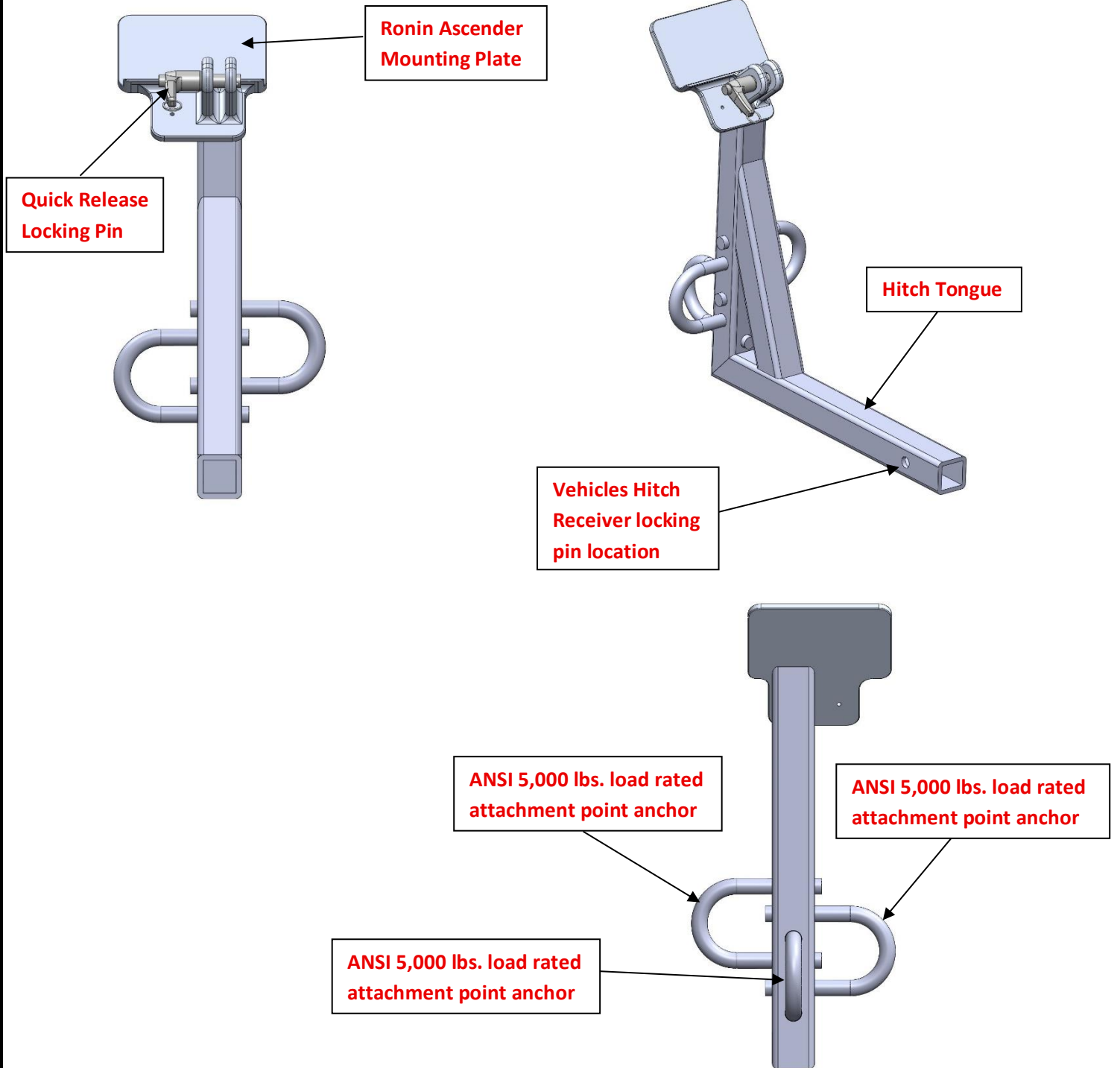
- Only Ronin powered ascenders should be mounted to the hitch. Do not attempt to mount any other equipment or devices to the mounting plate.
- Stop use if hitch shows any signs of cracks or deformation. Any scratches or wear in the powder coated finish is acceptable.
- Inspect the quick release locking pin, before every use & be sure the pin shows no signs of cracking or deformation. Test the quick release by pressing the button and verifying the pins retract in, when pressed. The pins should retract back out, when releasing the quick release button.
- Do not use with hitch adapters, extenders, or reducers.

Prior to using Ronin Lift Personal Ascender please ensure you thoroughly inspect all gear and accessories. Review your Ronin Ascender Instruction Manual, before use.

Use and Handling:

- Only use approved static ropes with Ronin Lift personal ascender.
- Do not overheat the DC motor. If motor becomes extremely hot discontinue use until motor has cooled down.
- Inspect all equipment prior to each use, including Ronin Ascender, & static rope.
- Clear any obstructions away from the Ronin Trailer hitch, during use.
- Keep the Ronin Lift, Trailer Hitch, and any small components out of reach of small children.
- Stop using the Ronin Lift & Trailer Hitch immediately, if you begin to feel tired, you experience any discomfort or pain in your hands, arms, or legs during operation.
- Use caution when rigging anything to the Ronin Trailer hitch. Be sure to use caution to avoid severe contact with the Hitch or any rigging attachments.
- Use caution when using the Ronin Trailer Hitch in high temperatures or high humidity.
- Do not use the Ronin Trailer Hitch in an electrical storm.

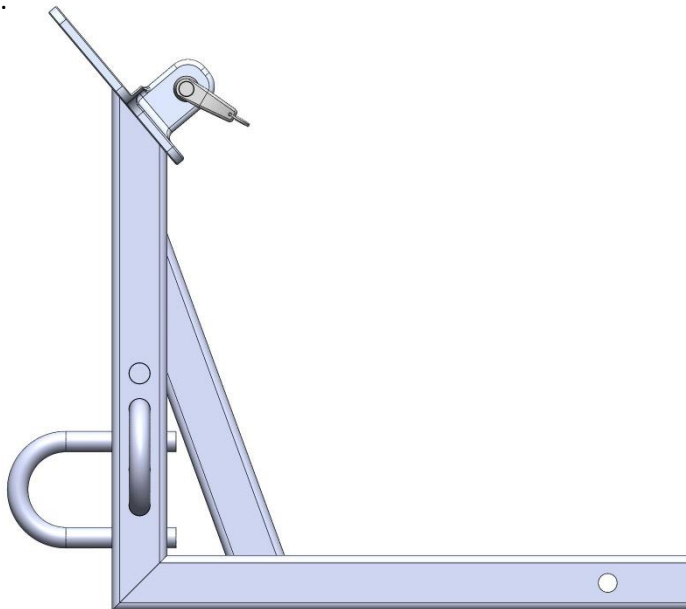
Product Overview:



Ronin Trailer Hitch Specifications:

Hitch Frame	4130 Alloy Steel Square Tubing 5,000 lbs. Rated Breaking Strength
Hitch Mounting Plate	4130 Alloy Steel Square Tubing 5,000 lbs. Rated Breaking Strength
Hitch Attachment Point Anchors	1045 Carbon Steel Rod 5,000 lbs. Rated Breaking Strength

Box Contents:



1.

1: Ronin Trailer Hitch

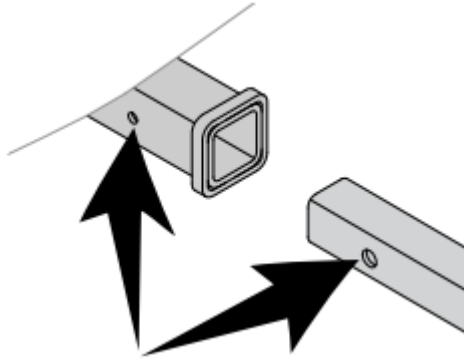


2.

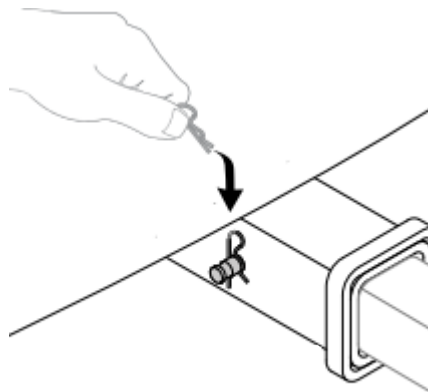
2: Quick Release Locking Pin

Vehicle Installation:

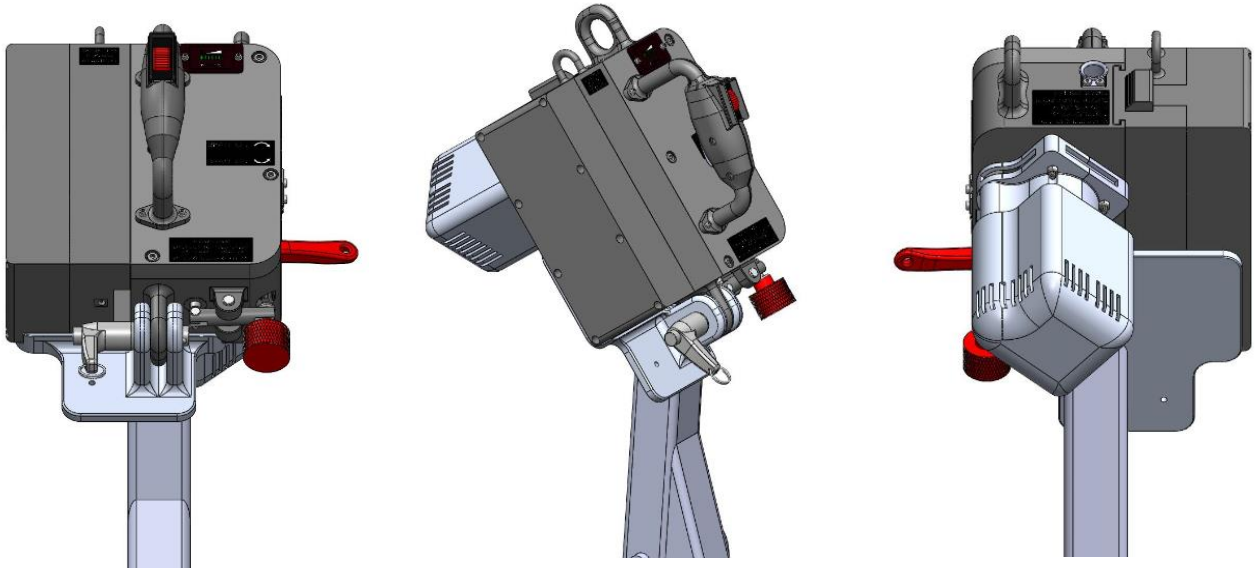
1. Insert the Ronin Hitch Tongue into the vehicles hitch receiver. Be sure any doors or tailgates are closed to avoid contact with your vehicle.



2. Line up the mounting hole and install your vehicles hitch locking pin. Be sure to secure the locking pin into place, so it does not come loose overtime with vibration or impact.



3. Remove the quick release locking pin from the mounting plate & Install the Ronin Ascender onto the mounting plate of the Ronin Trailer Hitch. Lock the Ronin Ascender into place, using the quick release locking pin.



4. Load an approved rope into your Ronin Ascender & set your tensioner for the load you are lifting.



Warning: Review your Ronin Ascender Instruction Manual before use. Contact info@ronin.inc for a copy of the Instruction Manual.

Inspection:

During the Ronin Trailer Hitch's life cycle, periodic inspection is required.

Description	Inspection Interval	Inspection	If Failed Inspection
Ronin Ascender Mounting Plate	Daily Prior to Use	Visually Inspect for any cracks or deformation to the mounting plate or the Ronin Ascender quick locking pin attachment points. No cracks or deformation can be present. Cosmetic cracking or wear of the powder coating finish is acceptable.	Discontinue All Use of Hitch
Hitch Tongue	Daily Prior to Use	Visually Inspect for any cracks or deformation. No cracks or deformation can be present. Cosmetic cracking or wear of the powder coating finish is acceptable.	Discontinue All Use of Hitch
Hitch Anchor Points	Daily Prior to Use	Visually Inspect all 3 anchor attachment points for any cracks or deformation. No cracks or deformation can be present. Cosmetic cracking or wear of the powder coating finish is acceptable.	Discontinue All Use of Hitch
Hitch Frame	Daily Prior to Use	Visually Inspect for any cracks or deformation. No cracks or deformation can be present. Cosmetic cracking or wear of the powder coating finish is acceptable.	Discontinue All Use of Hitch

Warranty Information:

Ronin products and accessories are guaranteed against manufacturing defects for 90 days from the original date of purchase or the minimum legally mandatory country requirement, from the original date of purchase. In the event of such defects, Ronin will repair or replace the defective part(s) or product(s) with comparable parts or products at Ronin's sole discretion. Damage resulting from use, water intrusion, physical damage, or normal wear and tear is not covered by this or any warranty. Ronin assumes no liability for any accident, injury, death, loss, or other claim related to or resulting from the use or misuse of any products. In no event shall Ronin be liable for incidental or consequential damages relating to or resulting from the use of this product or any of its parts. This product is not warrantied against user repairs and user repairs will void the warranty. Returns or replacements of parts and/or products may be subject to shipping, handling, replacement, and/or restocking fees. If you have purchased your product(s) from an authorized Ronin distributor, then please contact the distributor for warranty claims.