

Installation Instructions

PSPS-XXXX-10 – PIM Shield Plastic Snap-In,
Qty 10

STEP 1

Insert Plastic Snap-In onto cable.

STEP 2

Press Plastic Snap-In into hole.

STEP 3

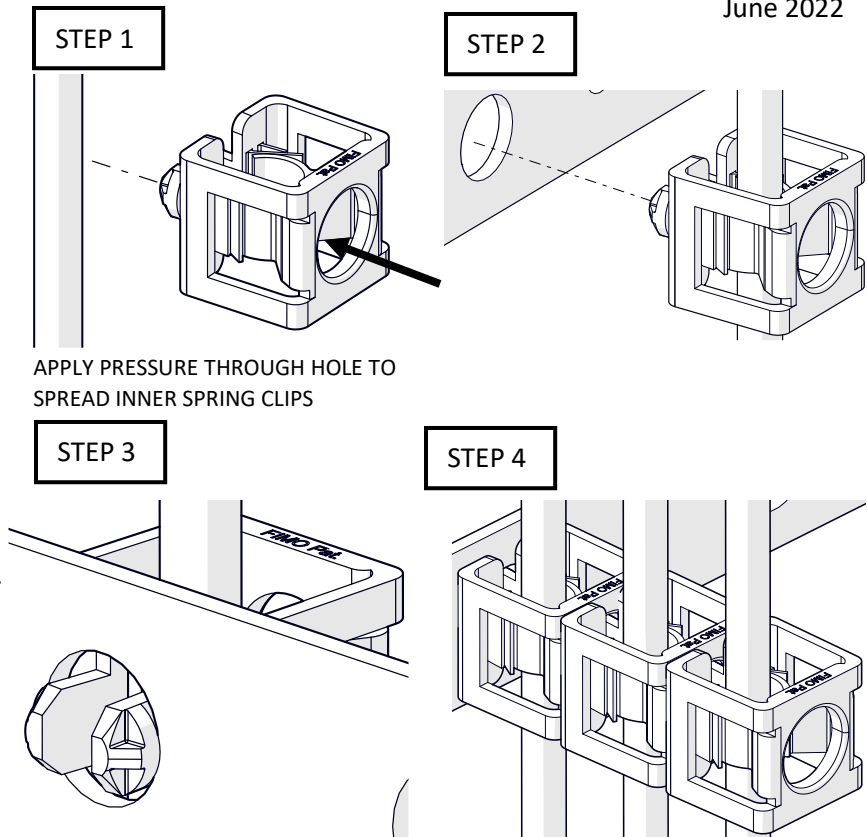
Assure the correct hooking of the tabs.

STEP 4

Add further Plastic Snap-In clamps (3 max).

NOTE:

Support bracket must be low PIM for the system to be low PIM.



Installation Instructions

PSPS-XXXX-10 – PIM Shield Plastic Snap-In,
Qty 10

STEP 1

Insert Plastic Snap-In onto cable.

STEP 2

Press Plastic Snap-In into hole.

STEP 3

Assure the correct hooking of the tabs.

STEP 4

Add further Plastic Snap-In clamps (3 max).

NOTE:

Support bracket must be low PIM for the system to be low PIM.

